

Installation manual

Montageanleitung • Notice de montage • Istruzioni per il montaggio • Manual de montaje • Monteringsanvisning • Installatiegids • Montážní návod • Asennusohje • Installationsmanual • Instrukcja instalacji • Paigaldusjuhend

Log cabin PM56-4529

Blockhaus • Maisonnette en poutres • Casa di travi • Casa de jardin • Anneks • Tuinhuis • Zahradní domek • Timmerstuga • Hirsimökki • Dom z bali • Freesprussmaja

Width 445 x Depth 290 cm

Breite/Tiefe • Largeur/Profondeur • Lunghezza/Profondità • Ancho/Profundidad • Bredde/Dybde • Breedte/Diepte • Šířka/Hloubka • Leveys/Pituus • Bredd/Längd • Szerokość/Głębokość • Laius/pikkus

Log thickness 56 mm

Bohlenstärke • Épaisseur des murs • Spessore delle pareti • Grosor de pared • Tykkelse • Wanddicke • Tloušťka stěny • Seinän paksuus • Väggtjocklek • Grubość ścian • Seinapaksus



The producer shall have the right to make technical changes to the product • Technische Änderungen vorbehalten • Le producteur réserve le droit d'effectuer des modifications techniques au produit • Il produttore mantiene il diritto di apportare modifiche tecniche al prodotto • Reservado el derecho a modificaciones técnicas • Produsent forbeholder seg retten til å endre tekniske egenskaper ved produktet • Alle rechten en technische wijzigingen voorbehouden • Výrobce si vyhrazuje právo na technické změny výrobku • Valmistaja pidättää oikeuden tehdä tuotteeseen teknisiä muutoksia • Tillverkaren har rätt att utföra tekniska förändringar för produkten • Producent zastrzega sobie prawo do dokonywania zmian technicznych produktu • Tootja jätab endale õiguse muuta toote tehnilisi omadusi

Palmako

LEMEKS GRUPP

Pos No.	Nimetus	Paksus [mm]	Laius [mm]	Pikkus [mm]	Kogus	Kood	Information
F1	Dowel 16x130	16.0	16.0	130	130		To wall panels
F2	Seal 15x15	15.0	15.0	10000	10		
F3	Seal 90x40	90.0	40.0	2100	2		top of door and windows
F4	Screw torx 6x120	6.0	6.0	120	156	QKR6x120TXZN	20 foundation
							76 to wall panels
							36 to rafters
							24 to purlins
F5	Screw torx 4.5x70	4.5	4.5	70	26	QKRPP4_5x70ZnTX	16 to corner slats
							10 T-posts
F6	Screw torx 4.5x50	4.5	4.5	50	248	QKRPP4_5x50ZnTX	50 to floor beading
							12 to louver
							112 roof slats
							74 to door/window slats
F7	Nail 3x70	3.0	3.0	70	250	QNA3x70ZN	To floor board
F8	Nail 2.2x50	2.2	2.2	50	550	QNA2.2x50ZN	To roof board
F9	Rod M8	8.0	8.0	2000	4	QKE8	
F10	Rod M8	8.0	8.0	300	2	QKE8	
F11	Nut M8				4	QMUk8Zn	
F12	Washer 8x20				4	QSE8x20Zn	
F13	Extension nut M8				4	QMUJ8Zn	
F14	Captive nut M8				4	QMULG8Zn	
F15	Covering cap				4	QKA85	
F16	Window sill (black)	40.0	0.5	600	3		To windows

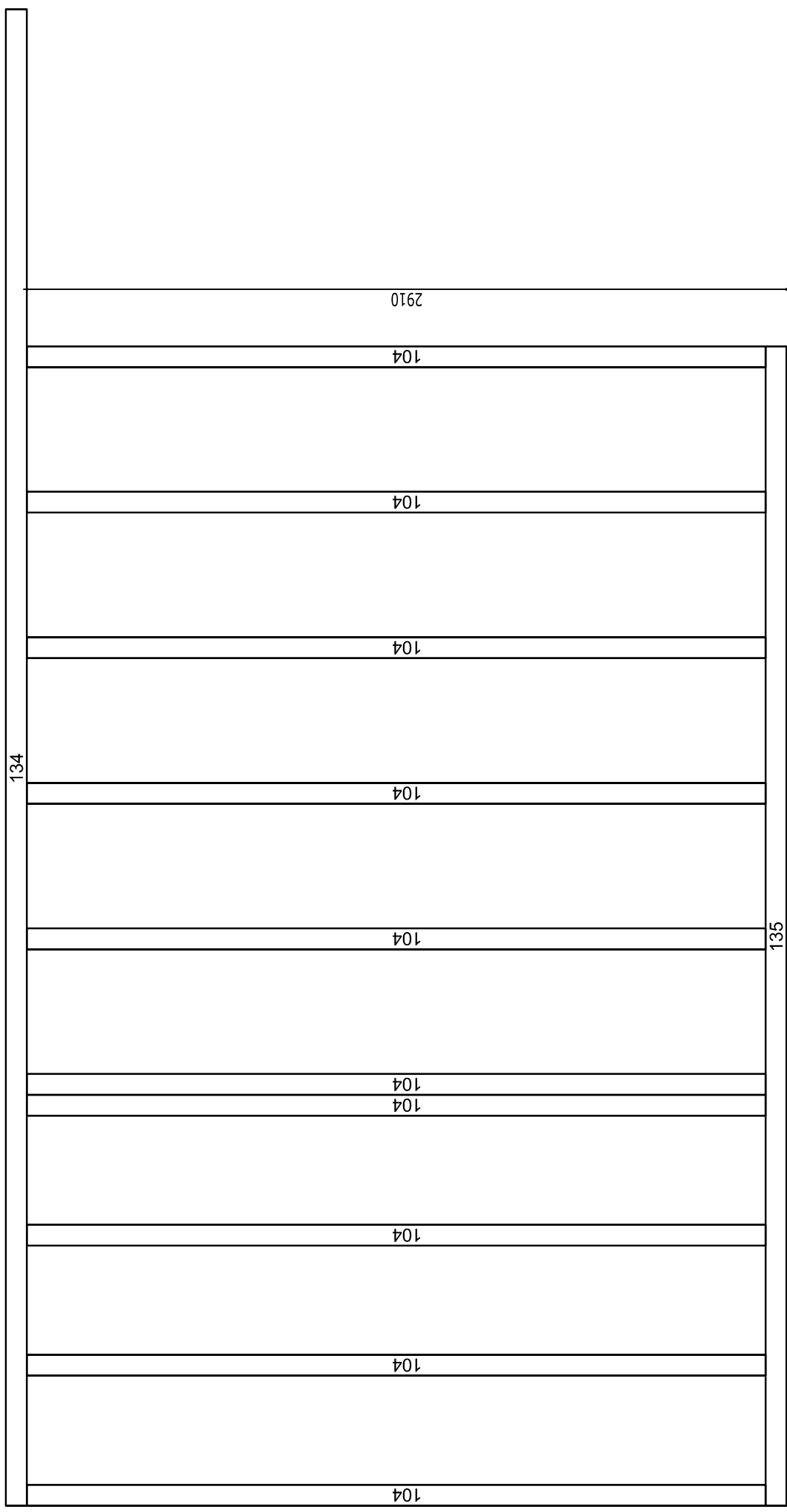
Pos No.	Wall No.	Heigh [mm]	Width [mm]	Length [mm]	Amount	Name	Profile / Grade	Length total [m]	Volume [m ³]	Information
1	W1	535	56	475	1	Log Plank	LP_LINT	26.6	0.0142	
2	W1	535	56	3125	1	Log Plank	LP_LINT	175.0	0.0936	
3	W1	535	56	475	3	Log Plank	LP_LINT	26.6	0.0427	
4	W1	535	56	450	3	Log Plank	LP_LINT	25.2	0.0404	
5	W1	535	56	475	3	Log Plank	LP_LINT	26.6	0.0427	
6	W1	535	56	5980	1	Log Plank	LP_LINT	334.9	0.1792	
26	W1	535	56	900	3	Log Plank	LP_LINT	50.4	0.0809	
10	W2	535	56	2914	1	Log Plank	LP_LINT	163.2	0.0873	
29	W2	535	56	2914	1	Log Plank	LP_LINT	163.2	0.0873	
30	W2	535	56	2914	2	Log Plank	LP_LINT	163.2	0.1746	
32	W2	535	56	2914	1	Log Plank	LP_LINT	163.2	0.0873	
11	W3	535	56	4450	1	Log Plank	LP_LINT	249.2	0.1333	
12	W3	535	56	4450	2	Log Plank	LP_LINT	249.2	0.2666	
13	W3	535	56	5785	1	Log Plank	LP_LINT	324.0	0.1733	
14	W3	535	56	5980	1	Log Plank	LP_LINT	334.9	0.1792	
15	W4	535	56	2914	1	Log Plank	LP_LINT	163.2	0.0873	
16	W4	535	56	1864	2	Log Plank	LP_LINT	104.4	0.1117	
17	W4	535	56	400	3	Log Plank	LP_LINT	22.4	0.0360	
18	W4	535	56	1864	1	Log Plank	LP_LINT	104.4	0.0558	
19	W4	535	56	2914	1	Log Plank	LP_LINT	163.2	0.0873	
8	W5	535	56	870	3	Log Plank	LP_LINT	48.7	0.0782	
9	W5	535	56	1268	1	Log Plank	LP_LINT	71.0	0.0380	
23	W5	535	56	870	1	Log Plank	LP_LINT	48.7	0.0261	
25	W5	535	56	1268	2	Log Plank	LP_LINT	71.0	0.0760	
28	W5	535	56	1268	1	Log Plank	LP_LINT	71.0	0.0380	
31	W5	535	56	2888	1	Log Plank	LP_LINT	161.7	0.0865	
100	19	89	89	2250	9	Roof board	P1989-TG	200.2	0.0342	
101	45	19	19	1457	2	Floor beading	LI	27.7	0.0025	
102	45	19	19	2888	4	Floor beading	LI	54.9	0.0099	
103	28	114	114	1489	25	Floor board	P28114-TG	169.8	0.1189	
104	60	80	80	2830	10	Foundation beam	P6080-DIP	226.4	0.1358	
105	45	19	19	2750	2	Floor beading	LI	52.3	0.0047	

Pos No.	Wall No.	Heigh [mm]	Width [mm]	Length [mm]	Amount	Name	Profile / Grade	Length total [m]	Volume [m ³]	Information
106		28	114	2783	25	Floor board	P28114-TG	317.3	0.2221	
107		19	89	3730	9	Roof board	P1989-TG	332.0	0.0568	
108		95	19	2780	1	Eave back	LI	52.8	0.0050	
109		45	45	2990	2	Eave back	LI	134.5	0.0121	
110		19	89	3260	68	Roof board	P1989-TG	290.1	0.3749	
112		140	44	1350	7	Rafter	P44140-4R3	59.4	0.0582	
113		95	19	3200	1	Eave back	LI	60.8	0.0058	
114		70	19	2270	1	Cover board	LI	43.1	0.0030	
115		150	18	3010	2	Eave front	LP_OST	54.2	0.0163	
116		140	44	1350	1	Rafter	P44140-4R3	59.4	0.0083	
117		140	44	1350	1	Rafter	P44140-4R3	59.4	0.0083	
118		70	19	4015	2	Cover board	LI	76.3	0.0107	
119		70	19	3750	1	Cover board	LI	71.2	0.0050	
120		150	18	4080	1	Eave side	LP_OST	73.4	0.0110	
120		150	18	4080	1	Eave side	LP_OST	73.4	0.0110	
121		180	56	5980	3	Purlin	LP	334.9	0.1808	
122		180	56	5980	1	Purlin	LP	334.9	0.0603	
134		60	80	5730	1	Foundation beam	P6080-DIP	458.4	0.0275	
135		60	80	4440	1	Foundation beam	P6080-DIP	355.2	0.0213	
136		28	28	2355	1	Support brace	P2828-4R3	65.9	0.0018	
137		28	28	2110	1	Support brace	P2828-4R3	59.1	0.0017	
138		19	95	800	6	Window slat top		76.0	0.0087	
139		19	70	1670	12	Window slat side		116.9	0.0267	
140		19	70	570	5	Window slat bottom		39.9	0.0038	
141		19	95	990	2	Door slat top		94.1	0.0036	
142		19	70	2008	4	Door slat side		140.6	0.0107	
143		28	56	830	1	Door Threshold		46.5	0.0013	
144		19	70	1980	4	Door slat side		138.6	0.0105	
145		19	95	800	2	Door slat top		76.0	0.0029	
147		19	56	1560	6	Window frame slat		87.4	0.0100	
148		19	56	598	6	Window frame slat		33.5	0.0038	
149		19	56	798	1	Door frame slat		44.7	0.0008	

Pos No.	Wall No.	Heigh [mm]	Width [mm]	Length [mm]	Amount	Name	Profile / Grade	Length total [m]	Volume [m ³]	Information
150		19	56	1980	2	Door frame slat		110.9	0.0042	
		56.0	700.0	2000	1	Door Living Type	U56-2P			
		56.0	760.0	1980	1	Door Living Type	U00-64P			
		56.0	560.0	1560	3	Window Living Type	A00-9P			
		70.0	1190.0	1880	1	Louver				

5730

1290



80

2990

2910

104

104

104

104

104

104

104

104

104

80

135

80

418

80

418

80

477

80

477

80

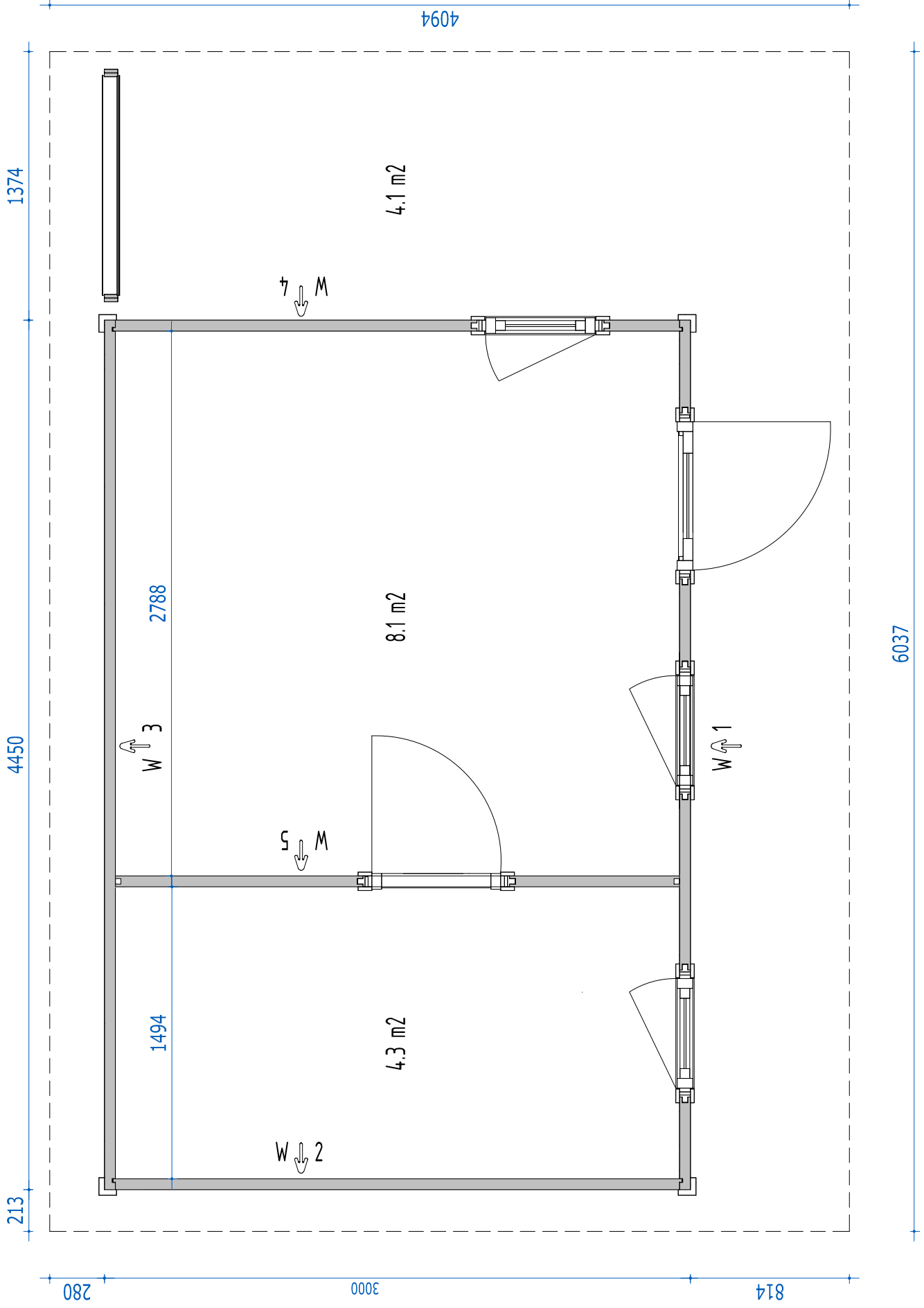
477

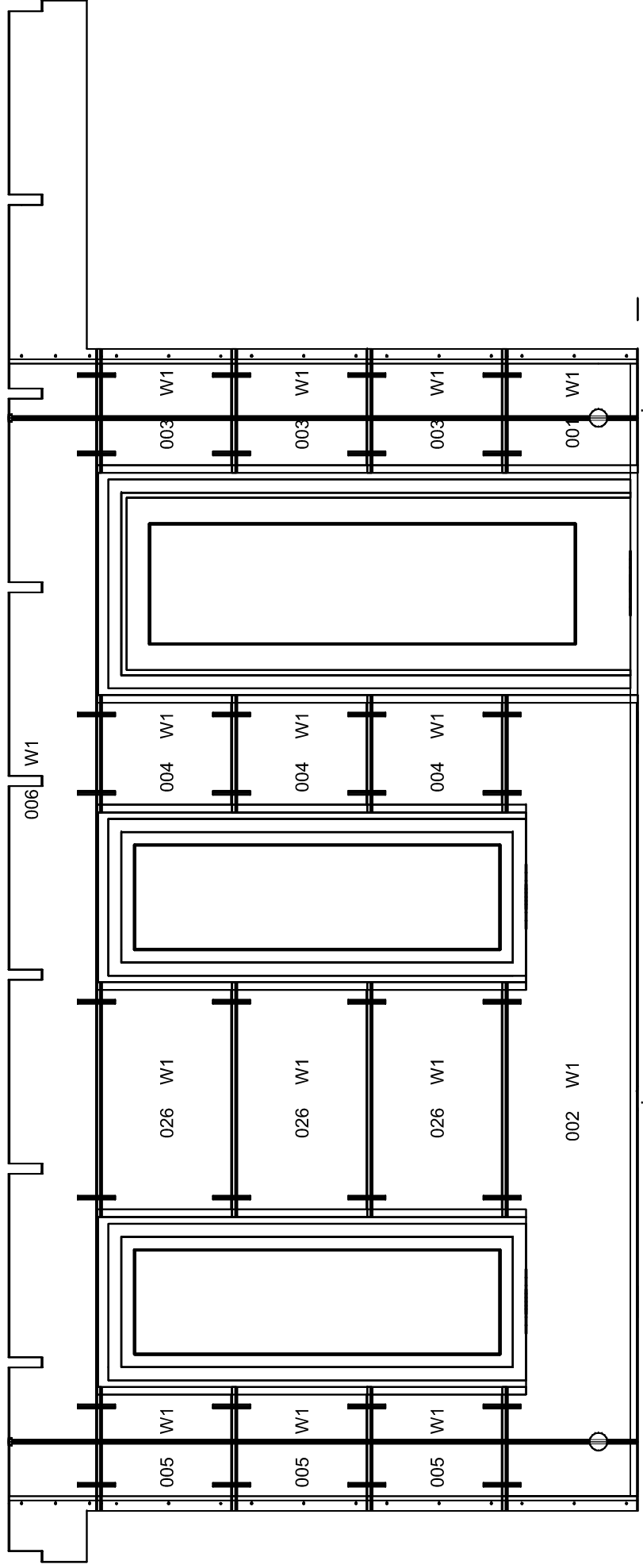
80

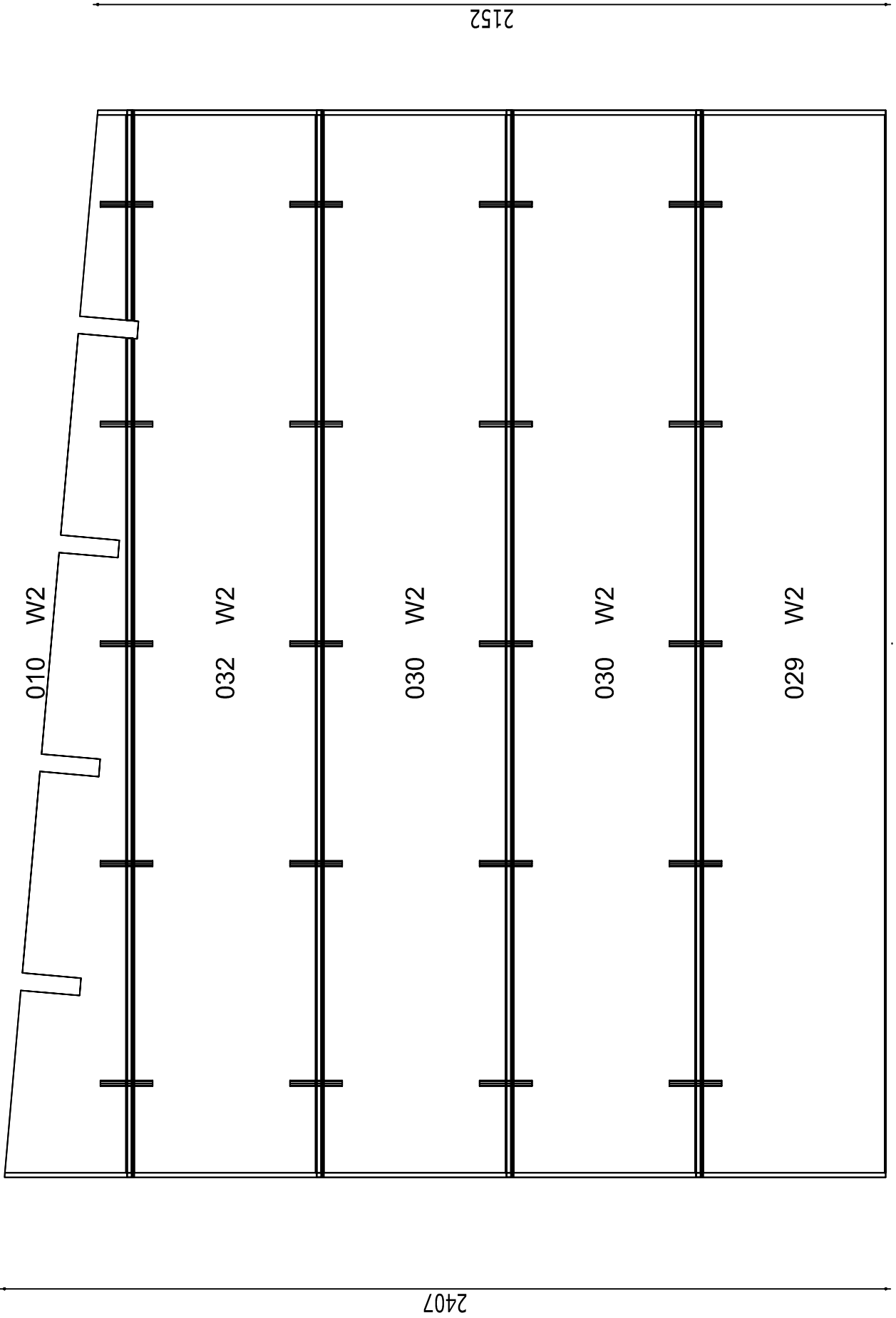
477

80

4440







5980

014 W3

013 W3

012 W3

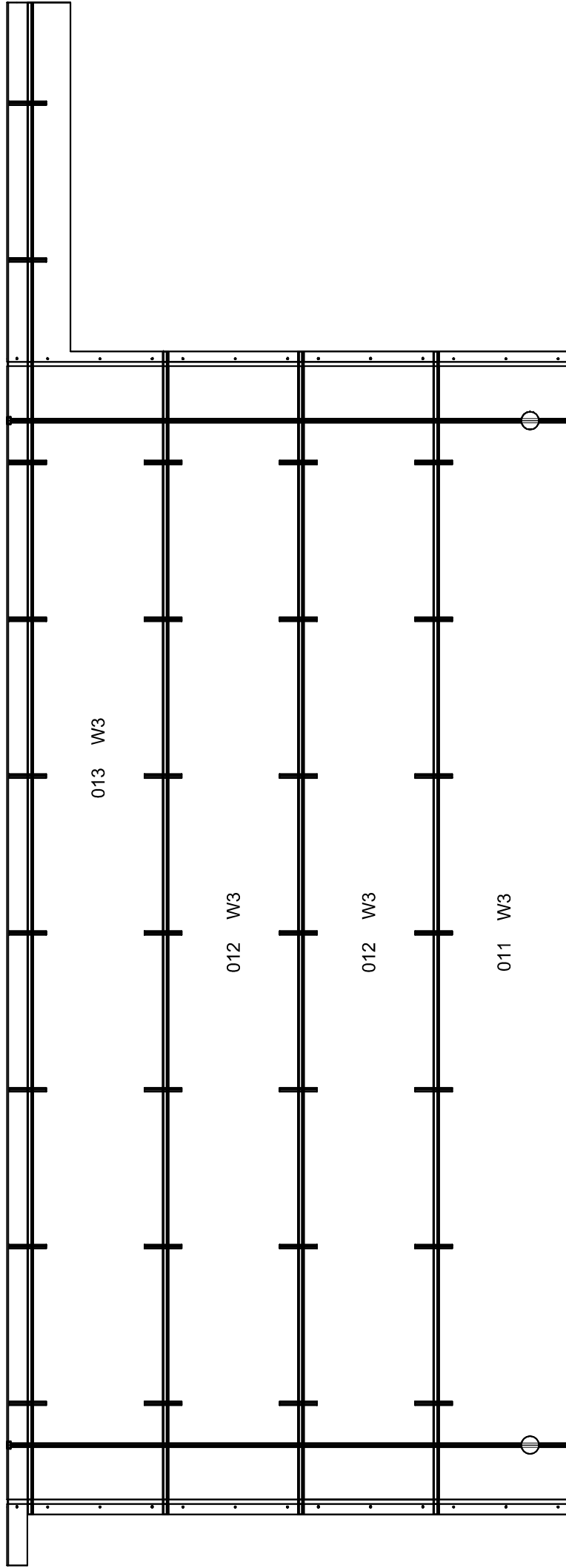
012 W3

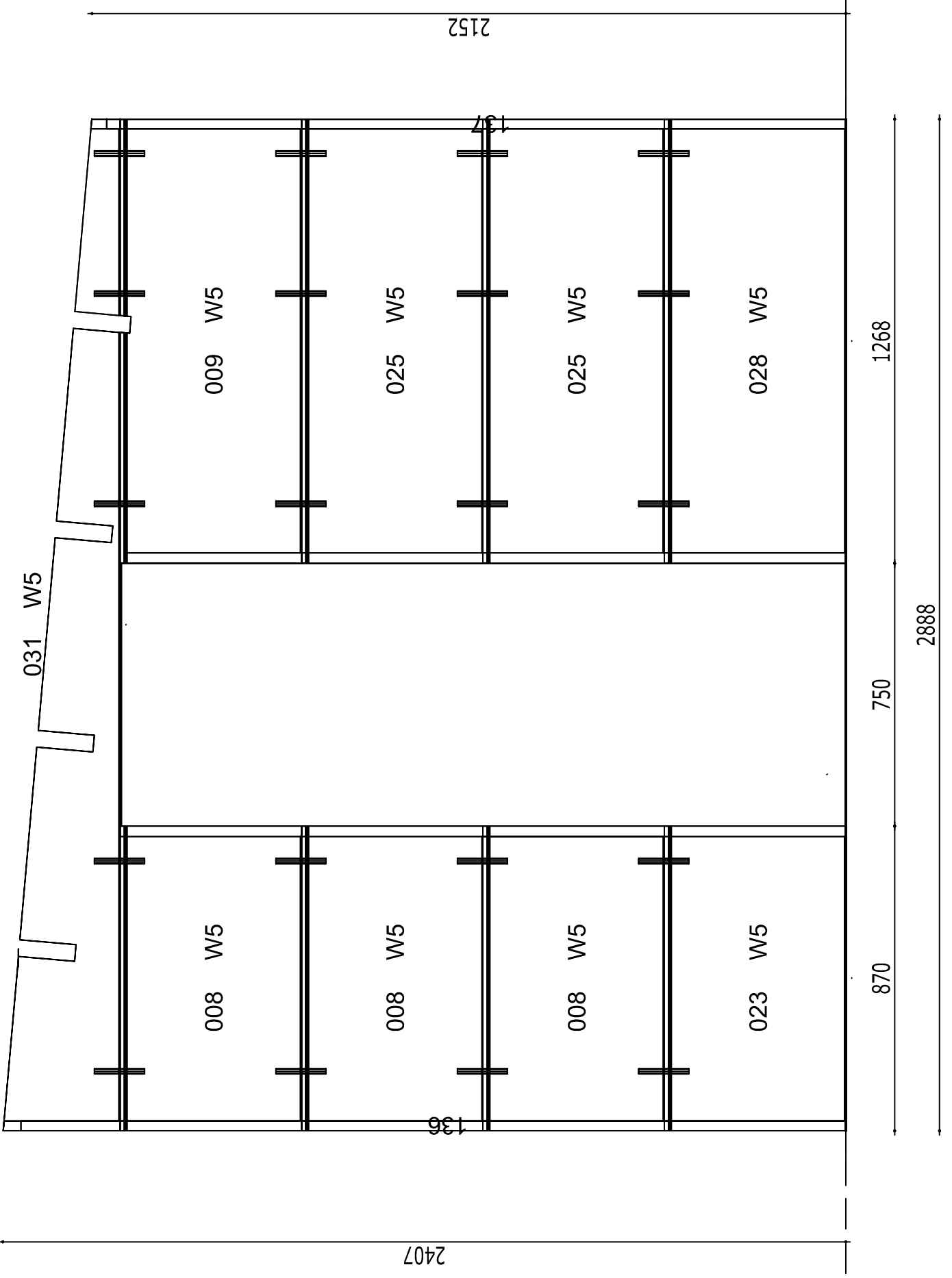
011 W3

2153

4450

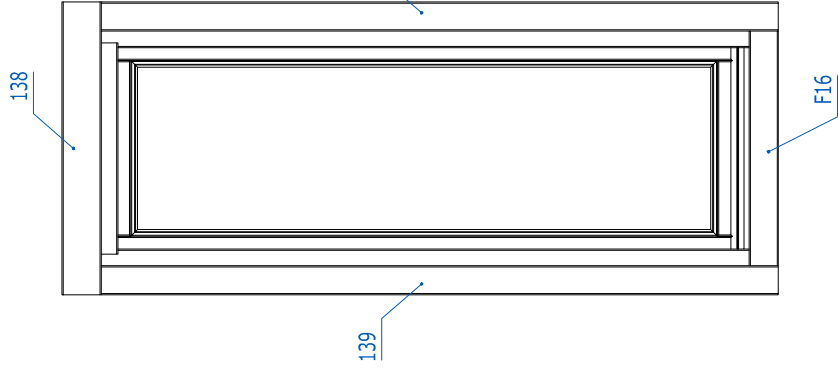
1335





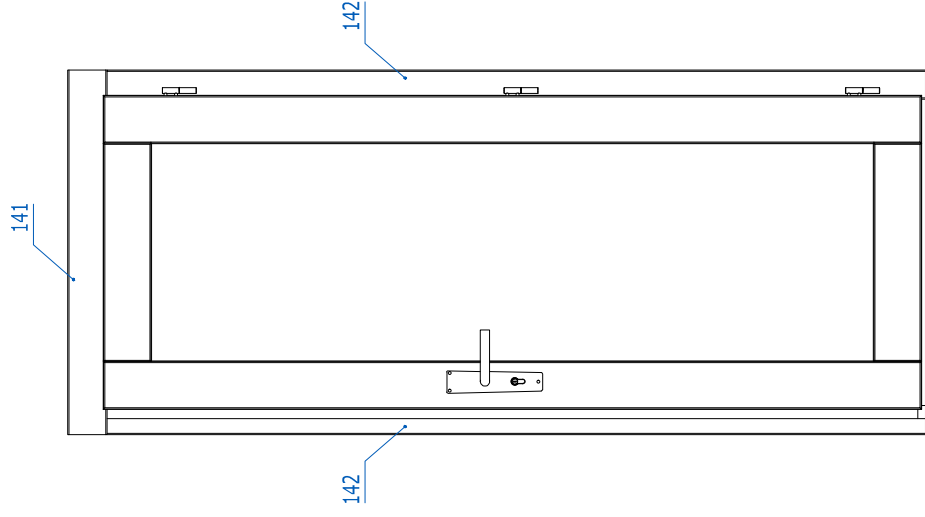


Object name	T04525_MODERNLOOK_ODE_II			Drawing	Vaated			Scale	1:40
	AS Palmako Näiteuse 25, Tartu, 50409, Estonia tel. +372 73 55 530 fax. +372 73 55 544 www.palmako.com			Drawn by	007	Date	02.07.2019	Paper	A3
	Palmako LEMEKS GROUP			Checked by		Date			
				Approved by		Date			Page 1



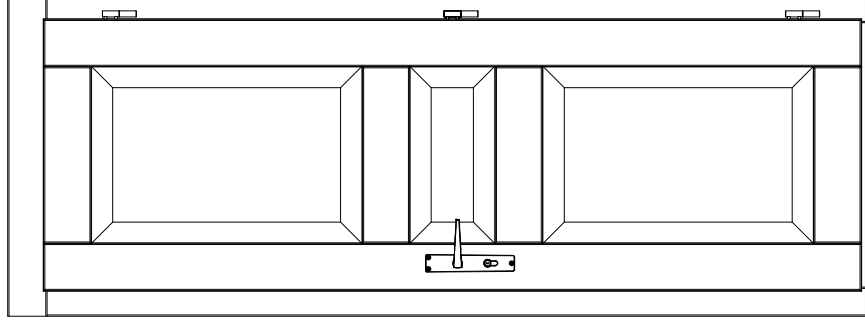
A00-9P - 3 pcs

Window
560 x 1560 x 56 mm



U00-64P - 1 pcs

Door
760 x 1980 x 56 mm



U56-2P - 1 pcs

Door
700x2000x56 mm

